

GENERAL CHARACTERISTICS

The Flow Switch EFK 2 controls liquid and gaseous substances. The instrument combines compact dimensions, an easy switch setting by potentiometer, a dual colour LED and a Galvanic insulated switch signal (NO) or transistor outputs (PNP/NPN). As option, an inclineable swan neck is available as a connection of sensor to housing to receive higher temperature ratings and better reading possibilities.

- * compact Flow Switch
- * no moving parts in the medium being monitored
- * mounting largely independent of pipe diameter

Male thread G1/4A or G1/2A stainless steel

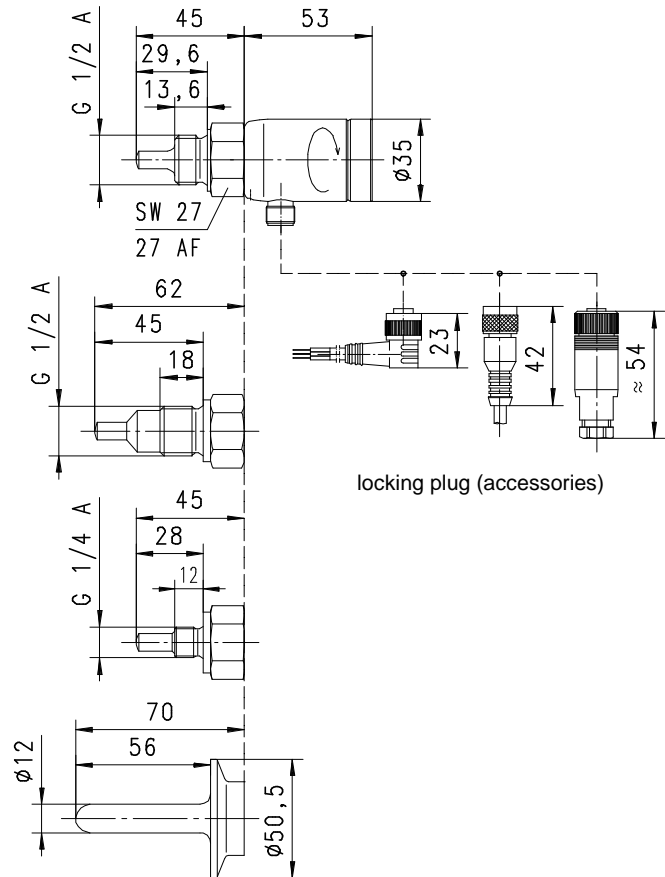
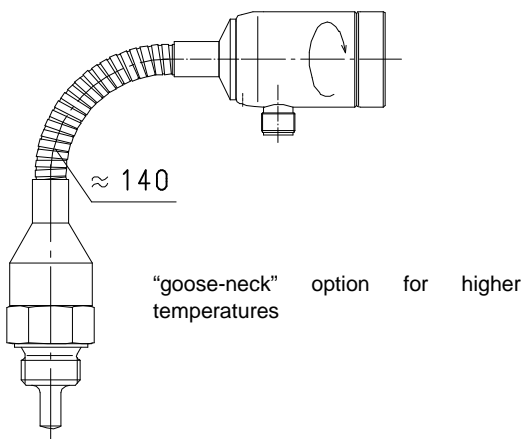


TECHNICAL DATA

operating ranges	water 20-50 cm/s (1-150) oil (on request) standard values shown bold
operating pressure	max. 100 bar, option 200 bar foodstuffs sensor 60bar
operating temperature	15..70°C (other temperature on request)
temperature gradient	4°C/s
weight	0.3 kg

MOUNTING

If you would like to exploit the highest possible sensor sensitivity (for particularly low flow rates or for use in gases), orientate the cross on hexagonal body of probe(liquids) or the red dot (gases) into a position against flow direction (flow meets cross or dot). See also the general description on calorimetric sensors.

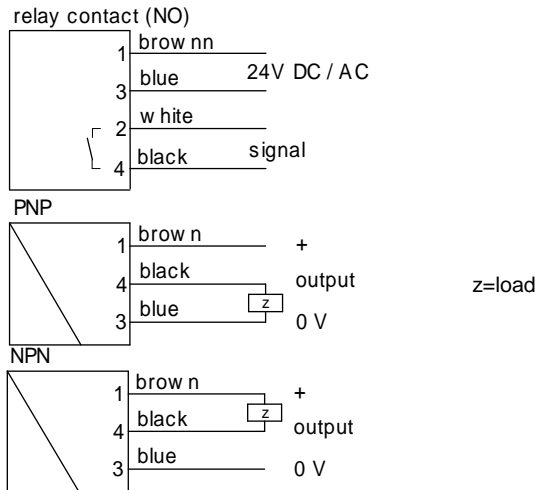


MATERIALS

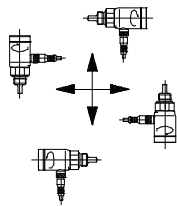
medium contact stainless steel 1.4571
other stainless steel 1.4305

ELECTRICAL DATA

display	red/green LED (red < limit value, green > limit value)
setting potentiometer	single-threaded
supply voltage	24 V DC / AC ±10%
current consumption	max. 70mA
signal	galvanic separation, Relais contact (NO) or transistor PNP/NPN
load	2A / 30 V DC/ AC (Relais) 24V 100 mA (Transistor)
connection	at locking plug M12x1, 4-pole
short-circuit proof	yes
reverse polarity proof	yes
protection class	IP65



MOUNTING POSITION



METERING SUBSTANCES



NOMENCLATURE

EFK2-	015	H	K	029	O	S		basic type specification
EFK2-								● calorimetric Flow Switch
	008							● connection G1/4A
	015							● connection G1/2A
	038							○ connection footstuffs sensor ISO 2852 size 38
		H						● socket thread
		L						○ footstuffs sensor
			K					● stainless steel 1.4571
				029				● probe length 29.6mm
				028				○ probe length 28mm
				045				● probe length 45mm
				056				○ probe length 56mm
					O			● relay contact (NO)
					C			● relay contact (NC)
					P			● PNP output
					N			● NPN output
						S		● Locking plug KPU-02SG
							H	○ M12x1, 4-pole, cable 2 m, straight plug with goose-neck

All technical changes reserved

●BASIC Standard ○BASIC Programme option □VARIO Special option ⊕ PLUS Accessories ✗not recommendable