

GENERAL CHARACTERISTICS

Mechanical Flow Indicator for liquids. A solid stainless steel flap arranged in the wetted chamber is lifted by the incoming flow and indicates the actual flow rate on an external reading scale. Rugged design in bronze/brass combination.

- * high temperature duty
- * double-faced wide window
- * natural glass

Female thread G1/2 bis G1 bronze



FQ-015GR017

TECHNICAL DATA

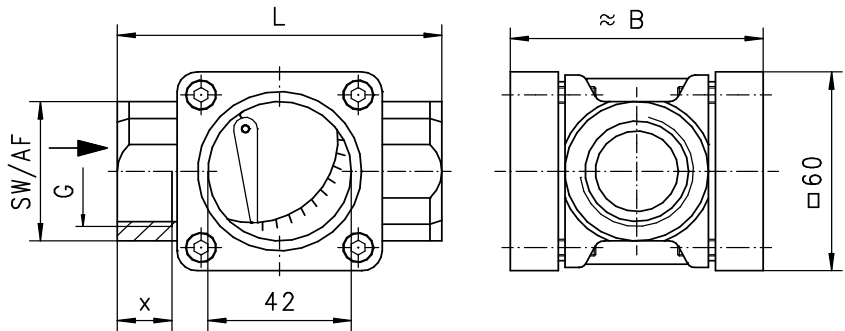
	G	Type	PN bar	indication range l/min H ₂ O	Qmax. recom. l/min H ₂ O	L mm	B mm	AF mm	X mm	weight kg
bronze	G 1/2	FQ-015GR017	16	2.1 - 17	25	85	68	36	14	1.20
	G 3/4	FQ-020GR020	16	2.1 - 20	45	85	68	36	14	1.10
	G 1	FQ-025GR024	16	2.1 - 24	65	95	74	42	16	1.25

Scale increments 1 to 10. Calibration see nomenclature.

media temperature water max. 100°C
 oil max. 200°C
 average pressure loss 0.09bar at Qmax.

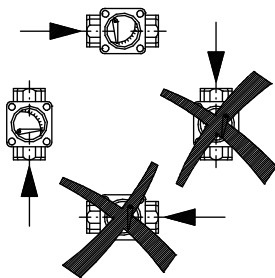
MATERIALS

body bronze
 ring brass
 window soda-lime-glass
 seal klingsil C4400
 bolt stainless steel 1.4305
 flap stainless steel 1.4310
 scale stainless steel 1.4310



For combinations see table "technical data".

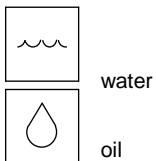
MOUNTING POSITION



NOMENCLATURE

FQ-	015	G	R	017	basic type specification
	015				● nominal diameter DN 15 - G1/2
	020				● nominal diameter DN 20 - G3/4
	025				● nominal diameter DN 25 - G1
		G			● female thread
			R		● bronze
				017	● indication range 2.1- 17 l/min H ₂ O
				020	● indication range 2.1- 20 l/min H ₂ O
				024	● indication range 2.1- 24 l/min H ₂ O

METERING SUBSTANCES



Scale increments 1 to 10. Indication value is indicated for horizontally increasing flow.

indication range l/min H ₂ O	scale increments									
	1	2	3	4	5	6	7	8	9	10
2.1- 17	2.1	3.2	3.8	4.3	4.7	5.0	5.7	7.5	9.5	17
2.1- 20	2.1	3.2	4.5	5.2	5.6	6.3	7.5	8.9	11.6	20
2.1- 24	2.1	4.0	5.0	7.0	7.8	9.2	11.1	14.0	17.8	24

All technical changes reserved

●BASIC Standard ○BASIC Programme option □VARIO Special option ⊕ PLUS Accessories ✗ not recommendable