

GENERAL CHARACTERISTICS

Mechanical Flow Switch for liquids or gaseous media with spring supported piston and magnetic actuation of a reed switch. Robust design, produced in materials brass or stainless steel.

- * compact dimension
- * good repeatability
- * dirt-resistance
- * high switch capability
- * hermetic separation of mechanical and electrical component

Female thread G1/4 to G1 brass/stainless steel



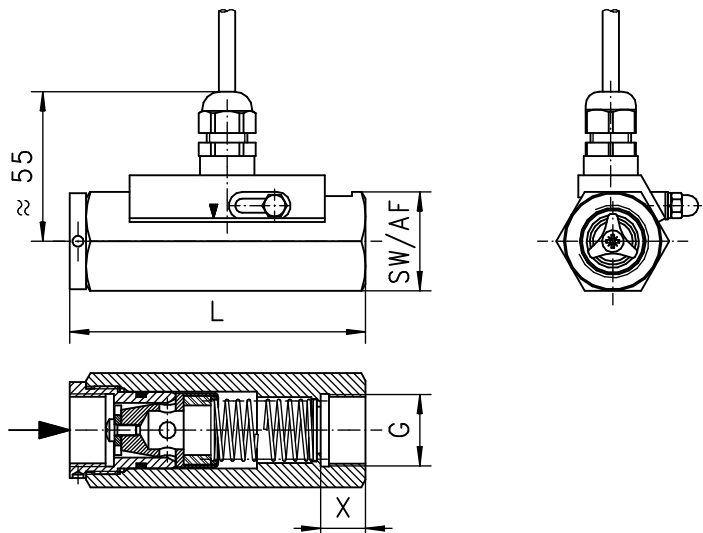
MR-020GM020

TECHNICAL DATA

	G	Type	PN bar	Qmax. rec. l/min H ₂ O	adjustable range l/min H ₂ O			L mm	H mm	AF mm	X mm	weight kg
brass	G 1/4	MR-008GM...	200	15	0.4 - 4	1 - 10		109	56	36	12	0.85
	G 3/8	MR-010GM...	200	20	0.4 - 4	1 - 10	5 - 20	109	56	36	12	0.85
	G 1/2	MR-015GM...	200	40	0.4 - 4	1 - 10	5 - 20	109	56	36	12	0.80
	G 3/4	MR-020GM...	200	60	1 - 10	5 - 20	10 - 40	109	56	36	12	0.80
	G 1	MR-025GM...	200	80	5 - 20	10 - 40	20 - 60	135	56	40	18	1.50
stainless steel	G 1/4	MR-008GK...	200	15	0.4 - 4	1 - 10		109	56	36	12	0.85
	G 3/8	MR-010GK...	200	20	0.4 - 4	1 - 10	5 - 20	109	56	36	12	0.85
	G 1/2	MR-015GK...	200	40	0.4 - 4	1 - 10	5 - 20	109	56	36	12	0.80
	G 3/4	MR-020GK...	200	60	1 - 10	5 - 20	10 - 40	109	56	36	12	0.80
	G 1	MR-025GK...	200	80	5 - 20	10 - 40	20 - 60	135	56	41	18	1.50

Adjustable range is indicated for horizontally decreasing flow.

tolerance ±5% of full scale
 media temperature max. 120°C
 average pressure loss 0.5 bar at Qmax.
 hysteresis depending on switch value
 minimum 0.5 l/min.

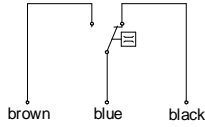


MATERIALS

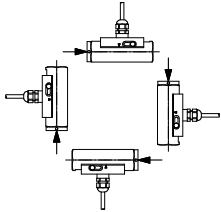
	MR-...GM	MR-...GK
body	brass Ms58 nickel plated	stainless steel 1.4305
piston	brass Ms58 stainless steel 1.4305; 1.4301	stainless steel 1.4571 stainless steel 1.4305; 1.4301
spring	stainless steel 1.4310	stainless steel 1.4310
magnet	bariumferrite	bariumferrite PTFE plated
seal	NBR	viton
switch head	PA	PA

ELECTRICAL DATA

reed switch - wiring 0.213 change over
250 V AC 1.5 A 50 VA
cable 2.5 m
protection class 2
protection class IP 65



MOUNTING POSITION



Installation position may influence switch value.

METERING SUBSTANCES



water



gas/air



oil



design stainless steel MR-...GK for aggressive liquids

NOMENCLATURE

For combination see table "technical data"

MR-	008	G	M	004		basic type
MR-					●	Flow Switch
MRO-					□	Flow Switch with lateral flow metering unit (DN 8-20 - PN90)
	008				●	DN 8 - G1/4
	010				●	DN 10 - G3/8
	015				●	DN 15 - G1/2
	020				●	DN 20 - G3/4
	025				●	DN 25 - G1
		G			●	female thread
			M		●	brass
			K		●	stainless steel
				004	●	0.4 - 4 l/min
				010	●	1 - 10 l/min
				020	●	5 - 20 l/min
				040	●	10 - 40 l/min
				060	●	20 - 60 l/min
Special option					□	setting / adjustable ranges for oil or gas
VARIO						special ranges
						selected hysteresis / vibration-proof
						rhodium contact
						high pressure PN 400 bar
						plug DIN 43650-A
						connection for locking plug M12x1 , 4-pole

IMPORTANT FOR YOUR ORDER

- Please indicate flow direction, metering substance and adjustable range with your order.
- With viscous liquids please indicate viscosity, temperature and metering substance (adjustable range on request)
- With gaseous media indicate pressure (relative or absolute), temperature and metering substance (adjustable range on request)

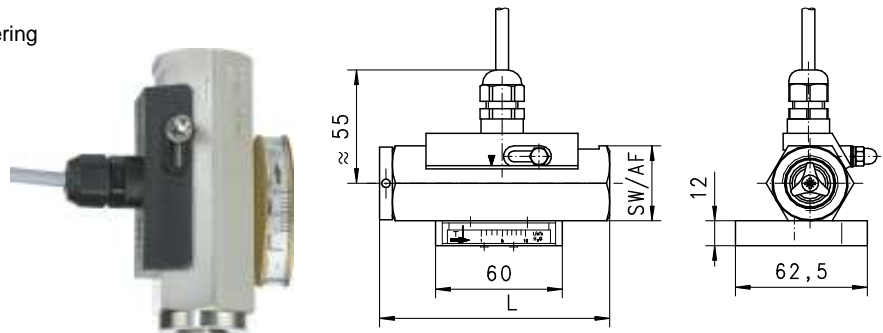
OPTION

□ MRO- Flow Switch with lateral flow metering

adjustable range	metering range
l/min H ₂ O	l/min H ₂ O
0.4 - 4	0.5 - 5
1 - 10	1 - 12
5 - 20	5 - 25
10 - 40	5 - 40
20 - 60	20 - 60

The metering range is indicated for horizontally increasing flow

DN 8-20 PN 90 bar protection class IP 60
DN 25 PN 200 bar additional weight 0.1kg



All technical changes reserved

●BASIC Standard ○BASIC Programme option □VARIO Special option ⊕ PLUS Accessories ✗not recommendable