

GENERAL CHARACTERISTICS

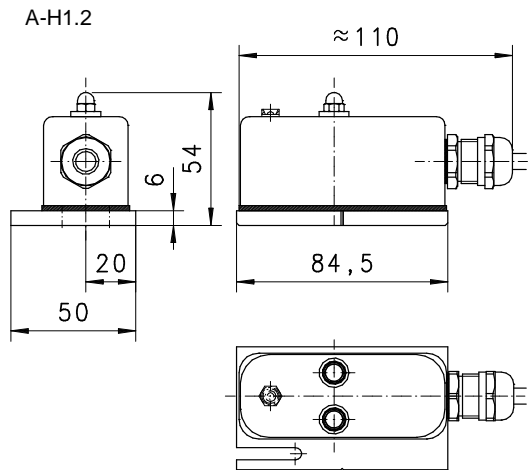
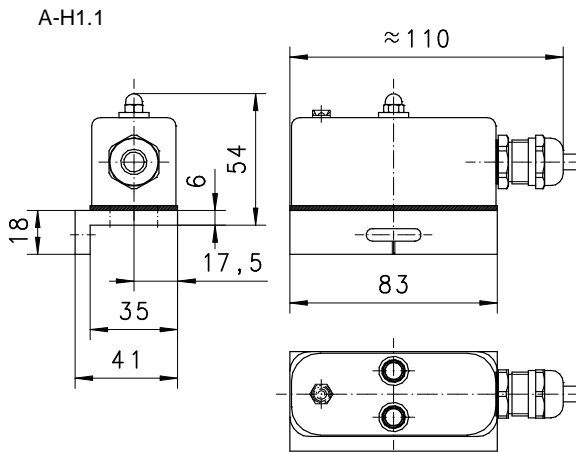
A flow switch, for liquid or gaseous media, with magnetical actuation of a reed switch.



I M1 EEx ia I
II 1G EEx ia IIC T4
II 1D EEx iaD 20 T135

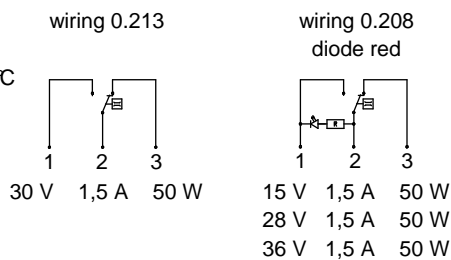


DIMENSIONS



ELECTRICAL DATA

reed switch
cable 2.5 m
temperature Tu max. 50°C
protection class IP 65



APPLICATION FOR TYPE

switch head	type
A-H1.1	HD1K HD1KV
A-H1.2	HR1M HR1MV

NOMENCLATURE

A-H1	.1	-1	basic type specification
A-H1			● switch head A-H1
	.1		● construction 1
	.2		● construction 2
		-1	● wiring 0.213
		-2	● wiring 0.208 15 V
		-3	● wiring 0.208 28 V
		-4	● wiring 0.208 36 V



All technical changes reserved

●BASIC Standard ○BASIC Programme option □VARIO Special option ⊕ PLUS Accessories ✗not recommendable