



- * flowsensor for viscose liquids
- * fast response time
- * analogue output, switching outputs
- * clear, easily readable, backlit LCD display
- * changeable units in the display
- * designed for industrial applications
- * small and compact
- * most simple installation

PRINCIPLE

The spring-supported piston is displaced by the flow. The flow-proportional position of the piston is transferred by a magnet to an analogue hall sensor element. The electronic circuitry converts the output signal of the hall sensor to a display reading completed by a dimension information. The electronic unit also provides two settable switches with adjustable hysteresis and a 4(0)...20mA output. Please take all additional data from the omni-sensor-family 51.1.omni and data sheet 51.1.omni2.

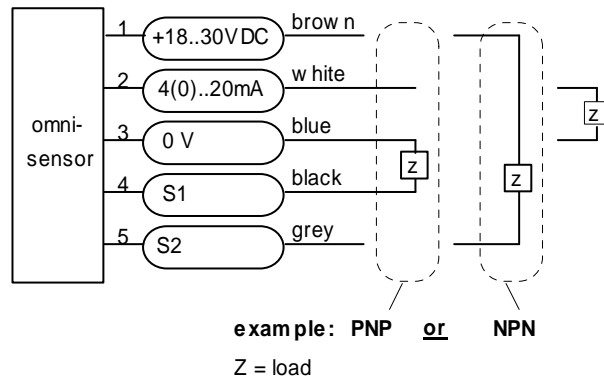
TECHNICAL DATA

measurement range	in different types 10..150 l/min (please see data sheet 1.1.HR1MV)
accuracy	1%
reproducibility	±3% EW
viscosity stability	±3%
operating pressure	200 bar
operating temperature	0..70°C (with goose-neck max.120°C)
storage temperature	-20..80°C
supply voltage	18..30 VDC
power consumption	<1 W
output	4(0)..20mA, 2(0)..10V across 500 Ohm resistor to 0V.
switching values S1 and S2	PNP or NPN selectable, 300mA load in sum max., programmable as min. or max. value, short-circuit proof, reverse-polarity proof

hysteresis	adjustable, position of hysteresis depends on min or max.	
display	graphical LCD display extended temperature range -20..70°C, 32x16 pixels, back-lit, shows value and units, LED signalling lamp with simultaneous message in display.	
connection	at locking plug M 12x1, 5-pole	
protection class	IP67	
materials	housing	stainless steel 1.4305
electronic housing	glass	tempered mineral glass
	magnet	cobalt samarium
	ring	POM

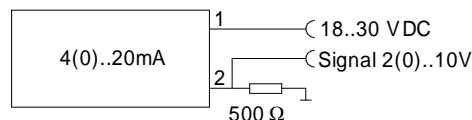
Please take all additional data from 1.1.HR1MV.

TERMINAL ASSIGNMENT



The switchpoints are changing to PNP or NPN depending to your interface automatically (Push-Pull).

Signal output with 2(0)..10V
Sample:



MOUNTING

The converters are connected by plugs to the flowmeter. There is no electrical connection between the local electronics and the flowmeter.

Please note that the flowmeter and the smart electronics are paired to one another (same production number) and please follow the mounting instructions for the relevant primary sensor or Flowmeter.

