

**GENERAL CHARACTERISTICS**

Instruments operate by a spring-supported paddel with magnetic triggering of a reed switch.

- \* good repeatability
- \* low pressure loss
- \* dirt resistant
- \* hermetic separation of electrical and hydraulic components
- \* stress free fixation of switch unit by plastic cap

Male thread G1/2 - DN 32 to DN 80 brass/stainless steel



UR1-015HM



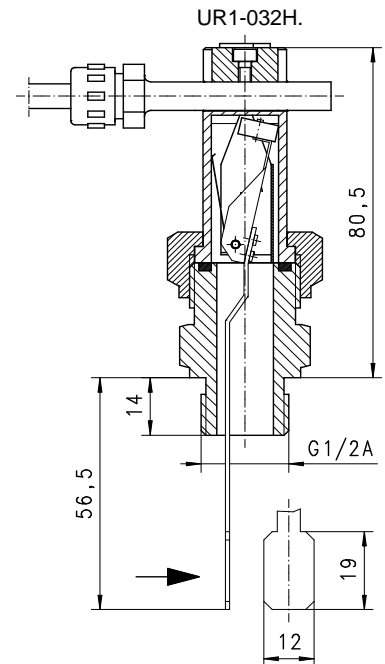
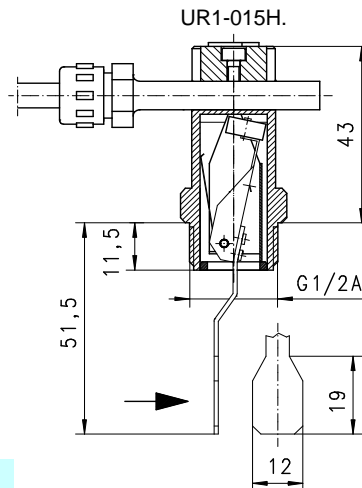
UR1-032HM

**TECHNICAL DATA**

	DN	Type	PN bar	Qmax. recom. l/min H <sub>2</sub> O	adjustable range l/min H <sub>2</sub> O	weight kg
brass	32	UR1-015HM	25	100	23 - 30	0.18
	40			150	33 - 44	
	50	UR1-032HM	25	200	38 - 48	0.38
	65			400	60 - 84	
stainless steel	80			600	81 - 118	
	32	UR1-015HK	25	100	23 - 30	0.18
	40			150	33 - 44	
	50	UR1-032HK	25	200	38 - 48	0.38
	65			400	60 - 84	
	80			600	81 - 118	

Adjustable range is indicated for horizontally decreasing flow.  
Calibrated in tube DIN2448 standard wall thickness.

tolerance	±15% of full scale
media temperature	max. 110°C
average pressure loss	0.01 bar at Qmax. depending on switch value
hysteresis	minimum 0.7 l/min.

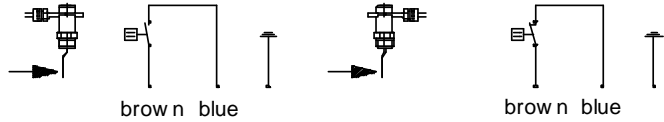


**MATERIALS**

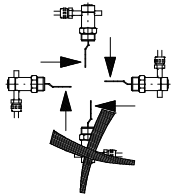
	UR1-...HM	UR1-...HK
socket	brass Ms58	stainless steel 1.4305
body	brass Ms58	stainless steel 1.4571
paddle	stainless steel 1.4301 ; 1.4571	stainless steel 1.4301 ; 1.4571
spring	stainless steel 1.4310	stainless steel 1.4310
magnet	oxyd 300	oxyd 300
seal	NBR	viton

**ELECTRICAL DATA**

reed switch  
wiring 0.225  
n.c. or n.o. depending on installation position  
230 V AC 1A 50VA  
cable gland with 1.5 m cable  
protection class IP 65

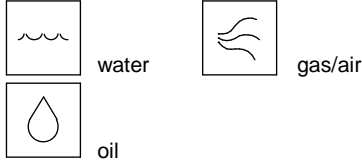


**MOUNTING POSITION**



Installation position may influence switch value.

**METERING SUBSTANCES**



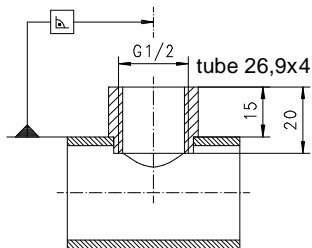
**NOMENCLATURE**

<b>UR1-</b>	<b>015</b>	<b>H</b>	<b>M</b>		<b>basic type</b>
	015				<b>specification</b>
	032				● nominal diameter DN 32 - 40
		H			● nominal diameter DN 50 - 80
			M		● welding socket
			K		● brass design
				A	● stainless steel design
					○ <b>Ex</b> switch unit ATEX (product information 92.1.U1)
Special option	VARIO				□ setting / adjustable ranges for oil or gas special cable length

**IMPORTANT FOR YOUR ORDER**

- Please indicate flow direction, metering substance and adjustable range with your order.
- With viscous liquids please indicate viscosity, temperature and metering substance (adjustable range on request)
- With gaseous media indicate pressure (relative or absolute), temperature and metering substance (adjustable range on request)

**INSTALLATION RECOMMENDATIONS**



Tube DIN 2448  
standard wall thickness

All technical changes reserved

●BASIC Standard ○BASIC Programme option □VARIO Special option ⊕ PLUS Accessories ✗ not recommendable