

**GENERAL CHARACTERISTICS**

Instruments operate by a spring-supported paddle with magnetic triggering of a reed switch.

- \* good repeatability
- \* low pressure loss
- \* dirt resistant
- \* hermetic separation of electrical and hydraulic components
- \* stress free fixation of switch unit by plastic cap

Solder fitting DN 10-40 copper



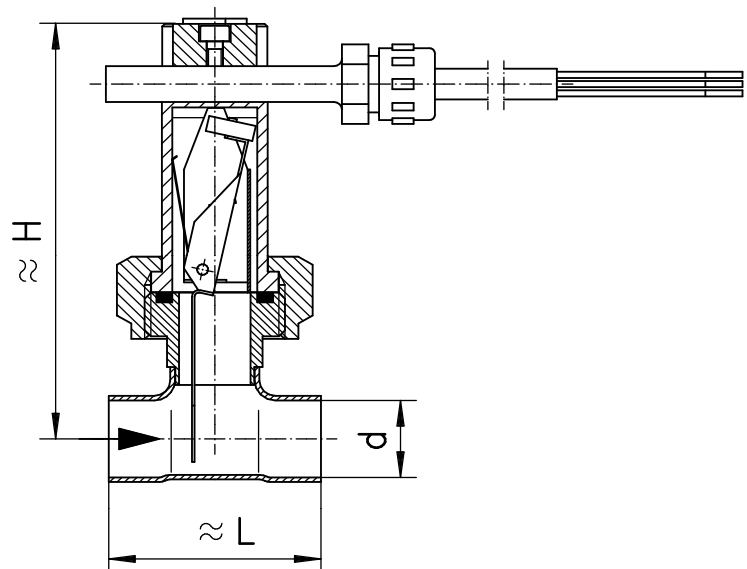
UR1-020TC

**TECHNICAL DATA**

	DN	Type	PN bar	Qmax. recom. l/min H <sub>2</sub> O	adjustable range l/min H <sub>2</sub> O	d mm	H mm	L mm	weight kg
copper	10	UR.-010TC	16	10	on request	12	81	36	0.30
	12	UR.-012TC	16	14	4.8 - 6.2	15	81	40	0.30
	16	UR.-016TC	16	24	7.0 - 9.4	18	82	44	0.30
	20	UR.-020TC	16	40	6.3 - 8.5	22	84	50	0.30
	25	UR.-025TC	16	60	on request	28	91	56	0.35
	32	UR.-032TC	16	100	14.5 - 19.5	35	91	64	0.35
	40	UR.-040TC	16	150	on request	42	99	74	0.40

Adjustable range is indicated for horizontally decreasing flow.

tolerance	±15% of full scale
media temperature	max. 110°C
average pressure loss	0.01 bar at Qmax.
hysteresis	depending on switch value minimum 0.7 l/min.

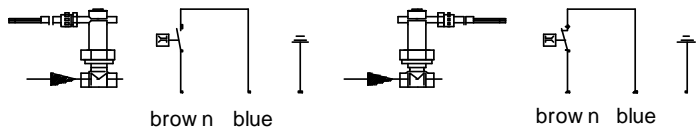


**MATERIALS**

housing	copper / brass Ms58
body	brass Ms58
paddle	stainless steel 1.4301 ; 1.4571
spring	stainless steel 1.4310
magnet	oxyd 300
seal	NBR

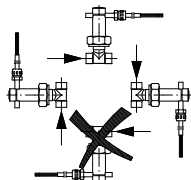
**ELECTRICAL DATA**

reed switch  
wiring 0.225  
n.c. or n.o. depending on installation position  
230 V AC 1A 50VA  
1.5 m cable  
protection class IP 65



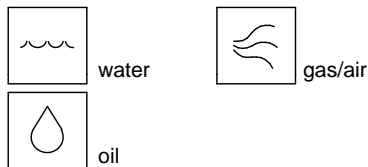
type UR2 (plastic switching unit) without earth. protection class 2

**MOUNTING POSITION**



Installation position may influence switch value.

**METERING SUBSTANCES**



**NOMENCLATURE**

For combinations see table "technical data"

UR1-	010	T	C		basic type
UR1-				●	switch unit brass
UR2-				○	switch unit and body plastic (PN10 - Tmax. 80°C - c cable 0,5 m)
	010			●	nominal diameter DN 10 - Ø12 DN 12 - Ø15 DN 16 - Ø18 DN 20 - Ø22 DN 25 - Ø28 DN 32 - Ø35 DN 40 - Ø42
	012			●	
	016			●	
	020			●	
	025			●	
	032			●	
	040			●	
		T		●	
			C	●	copper design
				A ○	switch unit ATEX (product information 92.1.U1)
Special option VARIO				□	setting / adjustable ranges for oil or gas special cable length

**IMPORTANT FOR YOUR ORDER**

- Please indicate flow direction, metering substance and adjustable range with your order.
- With viscous liquids please indicate viscosity, temperature and metering substance (adjustable range on request)
- With gaseous media indicate pressure (relative or absolute), temperature and metering substance (adjustable range on request)

All technical changes reserved

IBASIC Standard ○BASIC Programme option □VARIO Special option ⊕ PLUS Accessories

**X** not recommendable