

GENERAL CHARACTERISTICS

Instruments operate by a spring-supported paddle with magnetic triggering of a reed switch.

- * good repeatability
- * low pressure loss
- * dirt resistant
- * hermetic separation of electrical and hydraulic components
- * stress free fixation of switch unit by plastic cap

Welding/soldering socket DN15 to DN 80 brass/stainless steel



UR1-015VM

TECHNICAL DATA

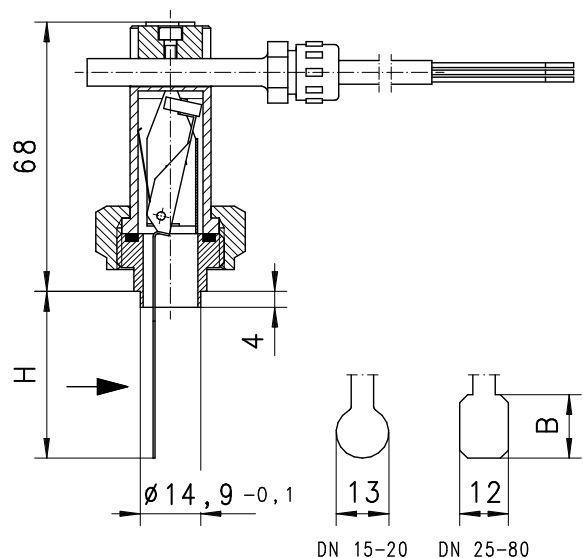
	DN	Type	PN bar	Qmax. recom. l/min H ₂ O	adjustable range l/min H ₂ O	H mm	D mm	A mm	B mm	weight kg
brass	15	UR.-015VM	25	20	5 - 6.5	18.0	13	-	-	0.21
	20			40	10 - 15.5					
	25	UR.-025VM	25	80	11 - 13	27.5	-	12	16	0.22
	32			100	26 - 33					
	40			150	37 - 42.5					
stainless steel	50	UR.-050VM	25	200	47.5 - 60	42.0	-	12	19	0.23
	65			400	95 - 117					
	80	600	147 - 179							
	15	UR.-015VK	25	20	4.6 - 6.3	18.0	13	-	-	0.21
	20			40	9.1 - 12					
	25	UR.-025VK	25	80	10 - 12.8	27.5	-	12	16	0.22
	32			100	23.7 - 32					
	40			150	33.7 - 41.2					
	50	UR.-050VK	25	200	43.2 - 58.2	42.0	-	12	19	0.23
	65			400	86.5 - 113					
80	600			134 - 174						

Adjustable range is indicated for horizontally decreasing flow.
Calibrated in tube DIN2448 standard wall thickness.

tolerance	±15% of full scale
media temperature	max. 110°C
average pressure loss	0.01bar at Qmax.
hysteresis	depending on switch value minimum 0.7 l/min.

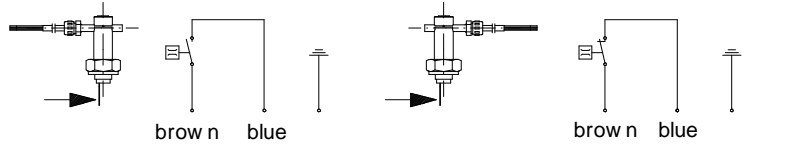
MATERIALS

	UR.-...VM	UR.-...VK
socket	brass Ms58	stainless steel 1.4305
body	brass Ms58	stainless steel 1.4571
paddle	stainless steel 1.4301 ; 1.4571	stainless steel 1.4301 ; 1.4571
spring	stainless steel 1.4310	stainless steel 1.4310
magnet	oxyd 300	oxyd 300
seal	NBR	viton



ELECTRICAL DATA

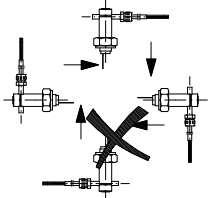
reed switch
wiring 0.225
n.c. or n.o. depending on installation position
230 V AC 1A 50VA
1.5 m cable
protection class IP 65



type UR2 (plastic switching unit) without earth. protection class 2

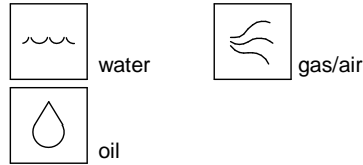


MOUNTING POSITION



Installation position may influence switch value.

METERING SUBSTANCES



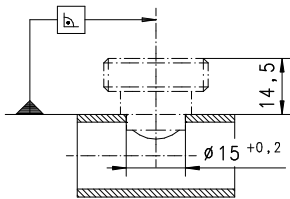
NOMENCLATURE

UR1-	015	V	M		basic type
UR1-					● switch unit brass
UR2-					○ switch unit and body plastic (PN10 - Tmax. 80°C - c cable 0,5 m)
	015				● nominal diameter DN 15-20
	025				● nominal diameter DN 25-40
	050				● nominal diameter DN 50-80
		V			● welding socket
			M		● brass design
			K		● stainless steel design
				A	○ switch unit ATEX (product information 92.1.U1)
Special option					□ setting / adjustable ranges for oil or gas
VARIO					special cable length

IMPORTANT FOR YOUR ORDER

- Please indicate flow direction, metering substance and adjustable range with your order.
- With viscous liquids please indicate viscosity, temperature and metering substance (adjustable range on request)
- With gaseous media indicate pressure (relative or absolute), temperature and metering substance (adjustable range on request)

INSTALLATION RECOMMENDATIONS



Tube DIN 2448
standard wall thickness

SPECIAL APPLICATIONS



UR1-015HM
body male thread G1/2A



UR1-032HM
body with union and
male thread G1/2A

All technical changes reserved

IBASIC Standard ○BASIC Programme option □VARIO Special option ⊕ PLUS Accessories ✗not recommendable