

GENERAL CHARACTERISTICS

Mechanical Flow Indicator for liquids, gasses or aggressive metering substances. The liquid enters a valve housing and lifts the ball from the valve seat placed in glass dome. Rugged design in stainless steel.

* high temperature duty

Female thread G1/4 to G1 1/2 stainless steel

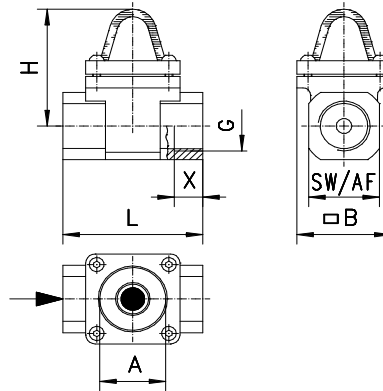


TECHNICAL DATA

BL-010GK

	G	Type	PN bar	sphere l/min H ₂ O		Qmax. recom. l/min H ₂ O	L mm	H mm	A mm	B mm	AF mm	X mm	weight kg
				fist movement	full visibility								
stainless steel	G 1/4	BL-008GK	16	0.3	1.5	4	76	67	42	60	28	12	0.8
	G 3/8	BL-010GK	16	0.3	1.5	8	76	67	42	60	28	16	0.7
	G 1/2	BL-015GK	16	0.3	1.5	12	76	67	42	60	28	14	0.7
	G 3/4	BL-020GK	16	2.5	5	25	89	78	42	60	45	18	1.4
	G 1	BL-025GK	16	4	8	40	89	78	42	60	45	18	1.3
	G 1 1/2	BL-040GK	16	11	23	60	118	95	50	77	62	30	2.5

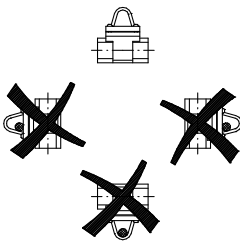
media temperature max. 200°C
average pressue loss 0.2bar at Qmax.



MATERIALS

housing stainless steel 1.4436, 1.4410
sphere PTFE
dome borosilikate
seal viton and klingersil C4400

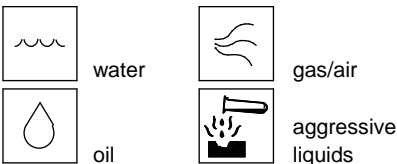
MOUNTING POSITION



NOMENCLATURE

BL-	008	G	K	basic type specification	
	008		●	nominal diameter	DN 8 - G1/4
	010		●		DN 10 - G3/8
	015		●		DN 15 - G1/2
	020		●		DN 20 - G3/4
	025		●		DN 25 - G1
	040		●		DN 40 - G1 1/2
		G	●		female thread
			K	●	stainless steel

METERING SUBSTANCES



Not recommendable for dark or contaminated liquids.

All technical changes reserved

●BASIC Standard ○BASIC Programme option □VARIO Special option ⊕ PLUS Accessories ✗ not recommendable