



CS-PT400/PT400E Liquid Level Transmitter

(1) Feature

Multiple-connection forms, Oil proof, waterproof, permeable and hard-wearing cable; Safe stainless steel structure, explosion proof.

CS-PT400E can be specially used in some flammable environment.

(2) Technology Data

Measurement Range: 0 to 5m H2O 0~500mH2O

Accuracy: 0.5 %/0.2% F.S (including linearity, repeatability and hysteresis)

Long Term Stability: ± 0.2 % F.S. per year

Output form: 4mA to 20 mA (two-wire type), 1-5V(three-wire type), 0-5V

Power Supply: 24 VDC $\pm 10\%$

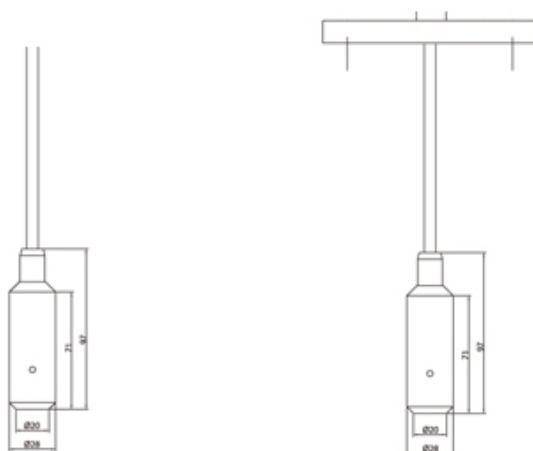
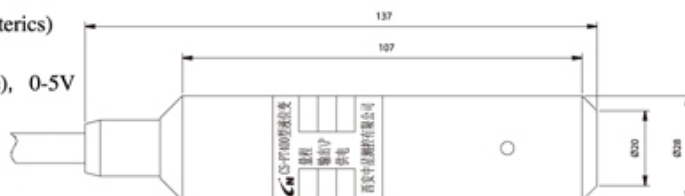
Response Time: 10ms

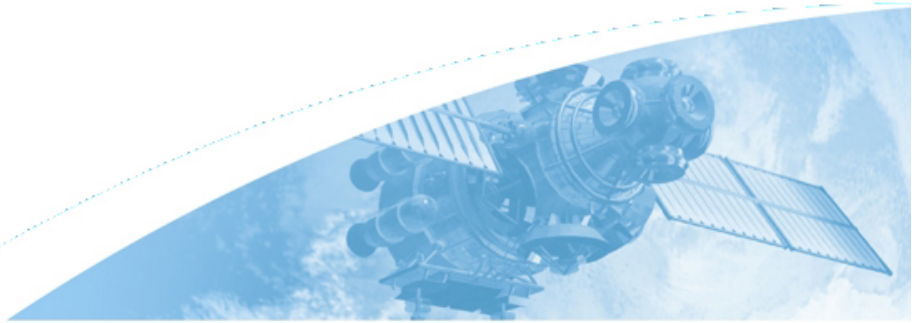
Allowed overpressure: 2.5 times full scale

Compensated Temperature: from -10°C to +60°C

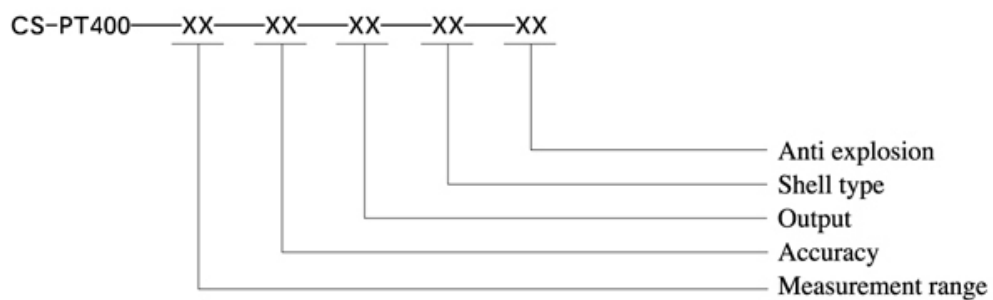
(3) Application

It can be widely used in water-supply system, oil truck, reservoirs, pool;





(4) Sample



(5) Product categories

Product Model	Measurement Range	Measurement is requested by Customers			
		CS-PT400	1~10	1	0~5mH ₂ O
2	0~10mH ₂ O			7	0~300mH ₂ O
3	0~20mH ₂ O			8	0~400mH ₂ O
4	0~50mH ₂ O			9	0~500mH ₂ O
5	0~100mH ₂ O			10	Other on request
Measurement Accuracy	1~2		1	0.5%F.S	
			2	0.2%F.S	
	Output form		1~3	1	4mA~20mA
				2	0V~5V
				3	1V~5V
	electric Connection	A	Cable		
		B	Screw thread connection		
		C	Flange connection		
		Explosion Proofing			
	O	Anti-explosion			
	E	Explosion proofing			