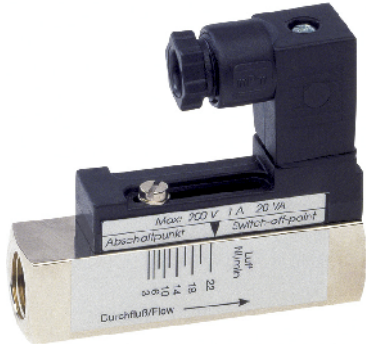


Product Information

RVM-008GM / K

Flow Switch RVM



- Monitoring of small flows
- PN 300 / 350

Characteristics

Mechanical flow switch, for fluid or gaseous media, with magnetic triggering of a reed switch. Robust construction in brass or stainless steel.

Technical data

Switch	reed switch	
Nominal width	DN 8	
Process connection	female thread G 1/4	
Switching range	0.04..3 l/min	for details see table "Ranges"
Q_{max.}	to 3.6 /min	
Tolerance	±10 % of full scale value	
Pressure resistance	brass construction	PN 300 bar
	stainless steel construction	PN 350 bar
Media temperature	-20..+100 °C optionally 160 °C	
Ambient temperature	-20..+70 °C	
Media	water (gas and aggressive media available on request)	
Wiring	normally open (n.o.) no. 0.372	
	changeover no. 0.282	
Switching voltage	max. 200 V AC	
Switching current	max. 1 A	
Switching capacity	max. 20 VA	
Protection class	2 - safety insulation	
Ingress protection	IP 65	
Electrical connection	DIN 43650-C plug	
Materials medium-contact	Brass construction: CW614N nickelled, CW614N, 1.4571, hard ferrite	Stainless steel construction: 1.4571, hard ferrite

Non-medium-contact materials	switching head PBT, PA, NBR, brass nickelled, stainless steel
Weight	see table "Dimensions and weights"
Installation location	Standard: horizontal inwards flow; other installation positions are possible; the installation position affects the switching point and range.

Ranges

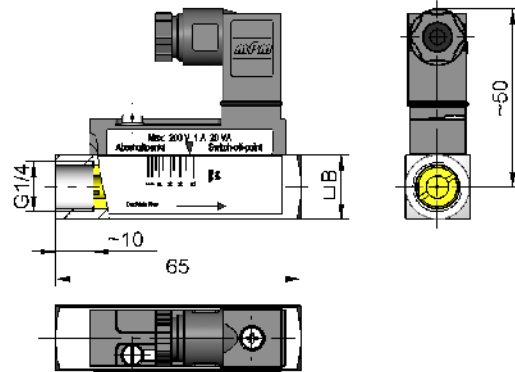
Details in the table correspond to horizontal inwards flow with decreasing flow rate.

Switching range H ₂ O	Types	Q _{max.} recommended
40.0 - 130.0 ml/min	RVM-008G.013	0.168 l/min
0.1 - 0.6 l/min	RVM-008G.060	0.720 l/min
0.5 - 3.0 l/min	RVM-008G.300	3.600 l/min

Special ranges are available

Dimensions and weights

Construction	Type	B	Weight kg
Brass	RVM-008GM...	17	0.14
Stainless steel	RVM-008GK...	18	0.15



Product Information

RVM-008GM / K

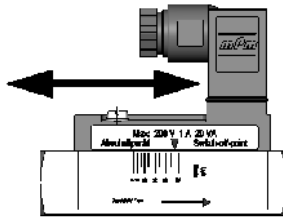
Handling and operation

Note

- Include straight calming section of 5 x DN in inlet and outlet.
- If the media are dirty, install a filter (use magnetic filter for ferritic components).
- It must be ensured that the values given for voltage, current, and power are not exceeded.
- When switch on, a load must be connected in series.
- The electrical details apply to ohmic loads. Capacitive, inductive and lamp loads must be operated using a protective circuit.

Adjustment

Loosen screw slightly, push the switching head into the desired position, and then retighten the screw.



Ordering code

RVM - 1. 008 2. G 3. 4.

1. Nominal width	008	DN 8 - G 1/4
2. Process connection	G	female thread
3. Connection material	M	brass
	K	stainless steel
4. Switching range H₂O for horizontal inwards flow	013	40.0 - 130.0 ml/min
	060	0.1 - 0.6 l/min
	300	0.5 - 3.0 l/min

Options

- Switching values for oil or gas
- Special values
- Switch contact as changeover

Ordering information

- Specify direction of flow, medium, and switching range.
- For gases, state pressure (relative or absolute), temperature and medium (e.g. air) (request switching range).